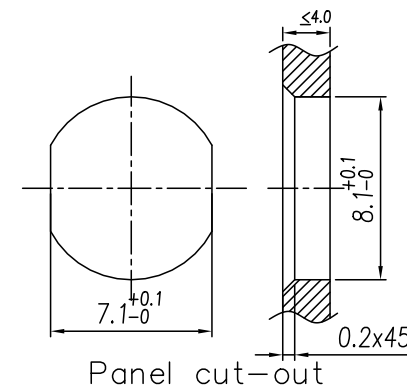


REVISION RECORD				
REV.	DESCRIPTION	ECN No.	APPROVED	DATE
V0	--			2021.08.18

IEC 技术参数		IEC61076-2-104
IEC Technical Data		
工作温度 Operating temperatur [°C]		-25~+80
防护等级 IP Class (IN Locked condition)		IP67
额定电压 Rated Voltage [V]		
额定电流 Rated Current [A]		
导线截面积 Conductor cross section		
硬质/柔性导线 Solid/ flexible [mm <sup>2</sup> ]		
接线范围 Wire Range		
单/多芯线 Solid/Stranded [AWG]		
材料 Material		
绝缘材料 Insulation Material		PA 66
阻燃等级 Imflammability		UL94V-0
导体材料 Contactor Material		铜合金 Copper alloy
导体镀层 Contactive Coating		镀金 Gold Plated
螺母/螺丝 Connector Nut/Screw		Brass With Nickel Plated 铜镀镍
符合RoHS环保要求		

Contacts Pin 数	3Pin	4Pin	5Pin	6Pin	8Pin
Coding 编码	A-Coding	A-Coding	B-Coding	A-Coding	A-Coding
Rated Current 额定电流	3A	3A	3A	1.5A	1.5A
Rated Voltage 额定电压	60V	60V	30V	30V	30V
Wire Range 线范围	24AWG	24AWG	24AWG	26AWG	26AWG
PART NO. 品名:	M08-A03-ST0-M02-BQ1	M08-A04-ST0-M02-BQ1	M08-B05-ST0-M02-BQ1	M08-A06-ST0-M02-BQ1	M08-A08-ST0-M02-BQ1
Customized. 定制化:	.....	.....	.....	.....	.....



F	O-Ring	O-Ring FKM Black	pcs	1
E	Resin	Black epoxy resin for sealing	g	2
D	Nut	Nut:M8X1.0,Brass With Nickel Plated	pcs	1
C	Housing	M8 Male,Black PA66	pcs	1
B	Terminal	Male Terminal ,Brass With Gold Plated	pcs	X
A	Screw	Screw M8X1.0,Brass With Nickel Plated	pcs	1
编号 No.	料号 Materials.No	品名 Name	材料规格 Description	单位 Unit 用量 Qty

NO SPECIFIED TOLERANCE		Cus' P/N:		Order No.:	---		Drawing No.:	SP-02-M000XX	
LINEAR	0.5-6	±0.1	DES.	Jun	DATE	UNITS	mm	THIRD ANGLE PROJECTION	PAGE
	6-30	±0.2		CHK.	DATE	SIZE	A4		1 of 1
	>30	±2%		APP.	DATE	SCALE	X:X		文件等级: 外部公开
ANGLES	±1°								



慈溪市万捷电子有限公司  
CIXI WANJIE ELECTRONIC CO., LTD

PART NO.:  
M08-AXX-ST0-M02-BQ1